

Value Valves

VF-7 SERIES Centric Butterfly Valves

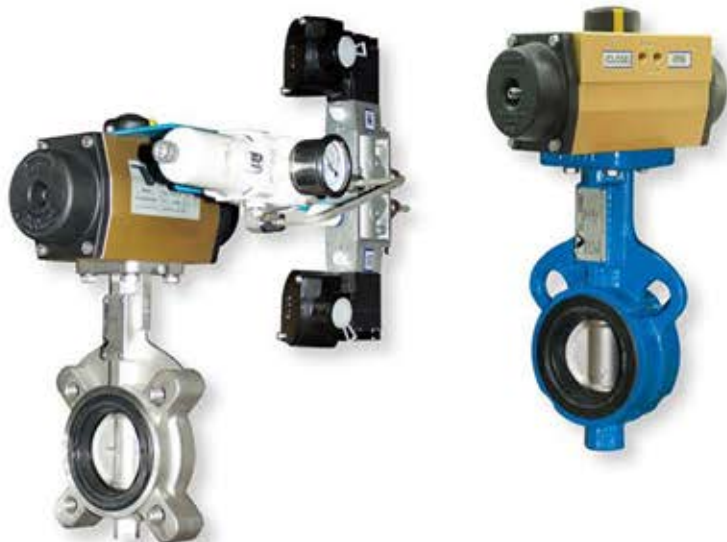
VALUE VALVES

VF-7 SERIES

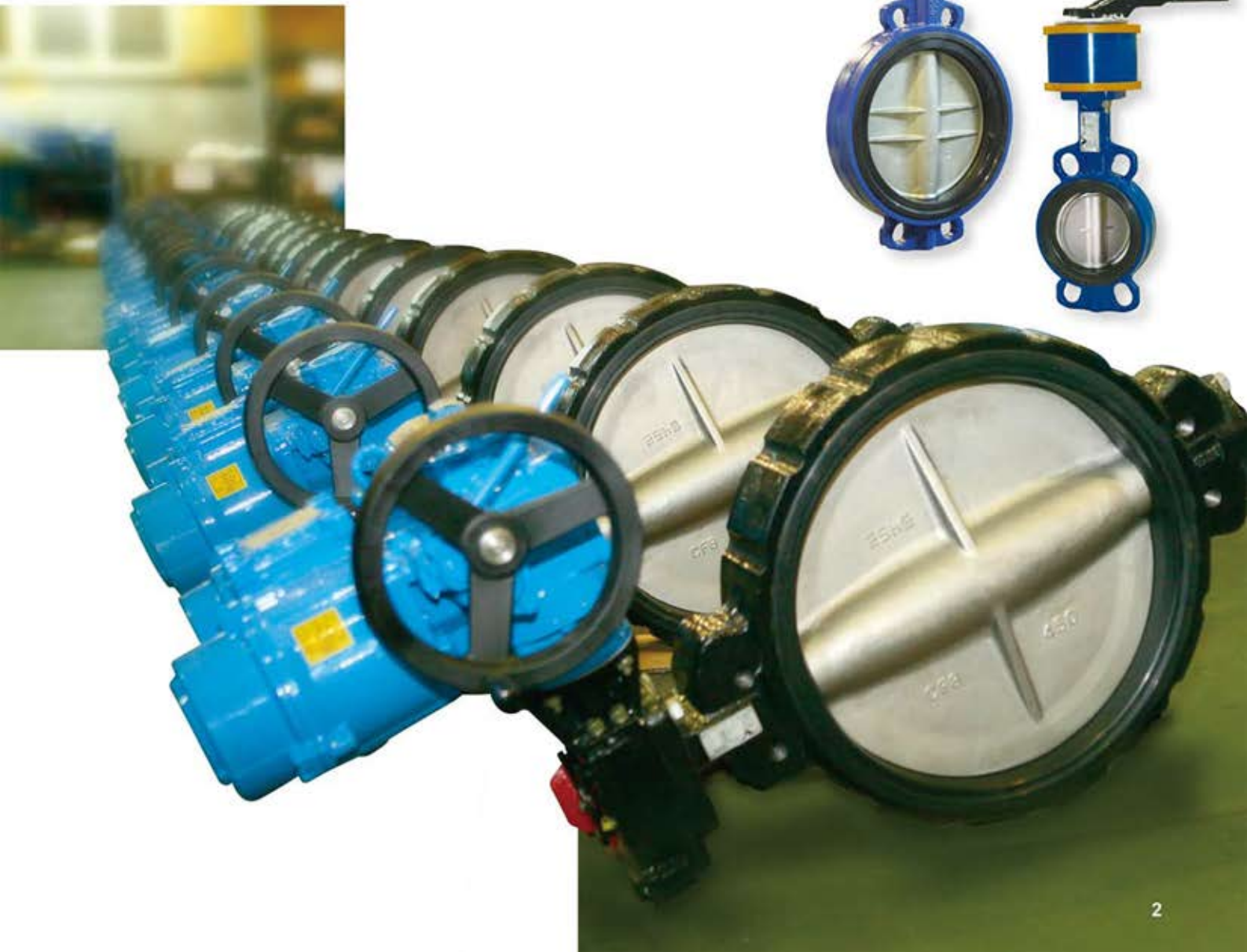
Centric Butterfly Valves

FEATURES AND BENEFITS

- Value Valves Co., Ltd. provides the 90° rotary, rubber seated, centric butterfly valve (VF-73_series).
- VF-730 provides the BI-DIRECTIONAL BUBBLE-TIGHT SHUT OFF DESIGN and up to 50,000 times of life cycle.
PIN FREE DESIGN provides simple maintenance and replacement of spare parts.
- STEM RETAINING MECHANISM:
The stem is retained in the body by means of a special "Q" type design when the valve size is under DN350mm, and hence the stem can be removed from the body and disc without any special tools.
*Unless you do intend to disassemble the valve, otherwise do not position the disc around 135°.
- The connection types of valve's body are wafer, lug, and double flanged. It is suitable for water, cooling water, gas, powder and other pipe line for regulating fluid flow on and off the role.



- Size: 1.5"~48"(40mm~1200mm), ANSI Class:125~150 LB
- Service temperature: -20 ℃ ~204 ℃ (-4 ℉ ~400 ℉)
- The full series passed the Gost certificate.
- The full series passed the Approval Certificate Works of Casting Iron for Valves of China Corporation Register of Shipping: Chapter 3 Part VI of Rules for the Construction and Classification of Steel Ships
- Valve is designed to API 609, ASME B16.34 and ISO 5208 accordingly.
- 24" and below, valve mounting flange and stem shall be per ISO 5211 which could be easy to install actuators and extension stem used for high and low temperature.
- 26" and above, valve mounting flange per ISO 5211, stem shall be round-keyed which could be easy to install actuators and extension stem used for high and low temperature.



VALUE VALVES

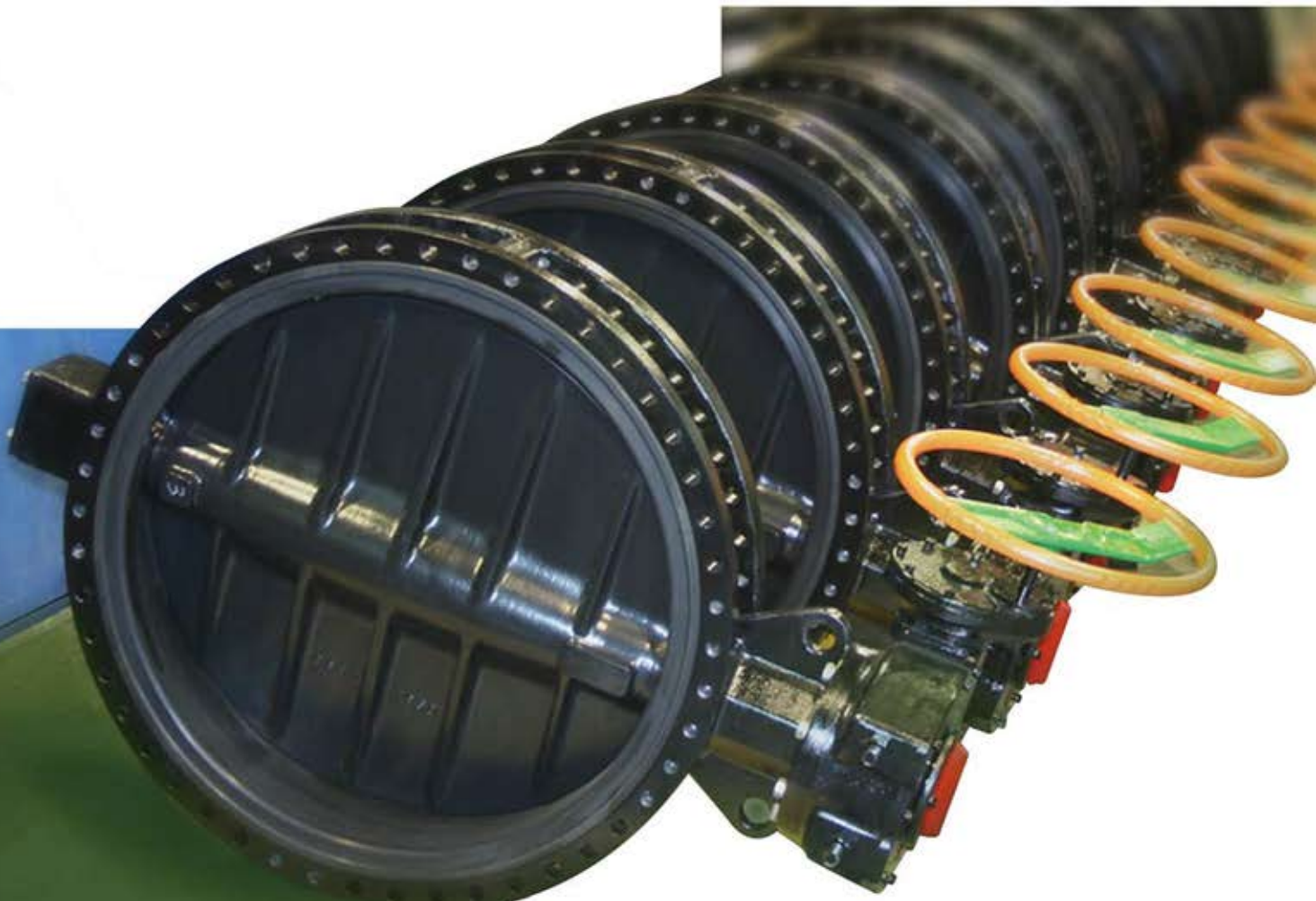
FEATURES AND BENEFITS

- FLANGE REQUIREMENT:

VF-730	Wafer type	ANSI 125/150.	BS Table E.JIS 10K.DIN PN10. DIN PN16.
VF-733	Lug type		
VF-737	Flange type	ANSI 150.	JIS 10K. DIN PN10. DIN PN16

Note: All wafers type have locating holes for ease of installation.

- PRESSURE RATING: Bidirectional bubble-tight shut off to
10bar(150psi)----DN40~DN1200mm.(STD)
16bar(230psi)----DN40~DN600mm.(OPT)
- And tested to 110% of full rating
11bar(160psi)----DN40~DN1200mm.(STD)
18bar(260psi)----DN40~DN600mm.(OPT)
- SHELL TESTING: The body strength can stand 150% of full rating:
15bar(220psi)----DN40~DN1200mm.(STD)
24bar(340psi)----DN40~DN600mm.(OPT)
- Anti-Condensed: On customer's requirement
- Full range valves are suitable for corrosion and other harsh conditions and offer a variety of material selection for customers to different requirements of process.



APPLICABLE STANDARDS

- Body Style: Wafer type, Lug type, Flange type
- Body Shell Thickness: AWWA C504, ASME B 16.34
- Mounting: ISO 5211
- Design & Pressure: ISO 5208, AWWA C504 , ASME B16.34,
- Face to Face: API 609, ISO 5752
- Inspection and Testing: ISO 5208
- Standard Marketing System: MSS-SP-25
- EX Certificate: ATEX 94/9/EG Group II Category 2 GD
- ABS Certificate: ABS Steel Vessel Rules 1-1-7/7,4-6-2/5.11

(Other flange connection please contacts with Value Valves Co., Ltd.)

*Technical information is only for reference. Value Valves Co., Ltd. reserves the right to change without previous notice.



APPLICATIONS

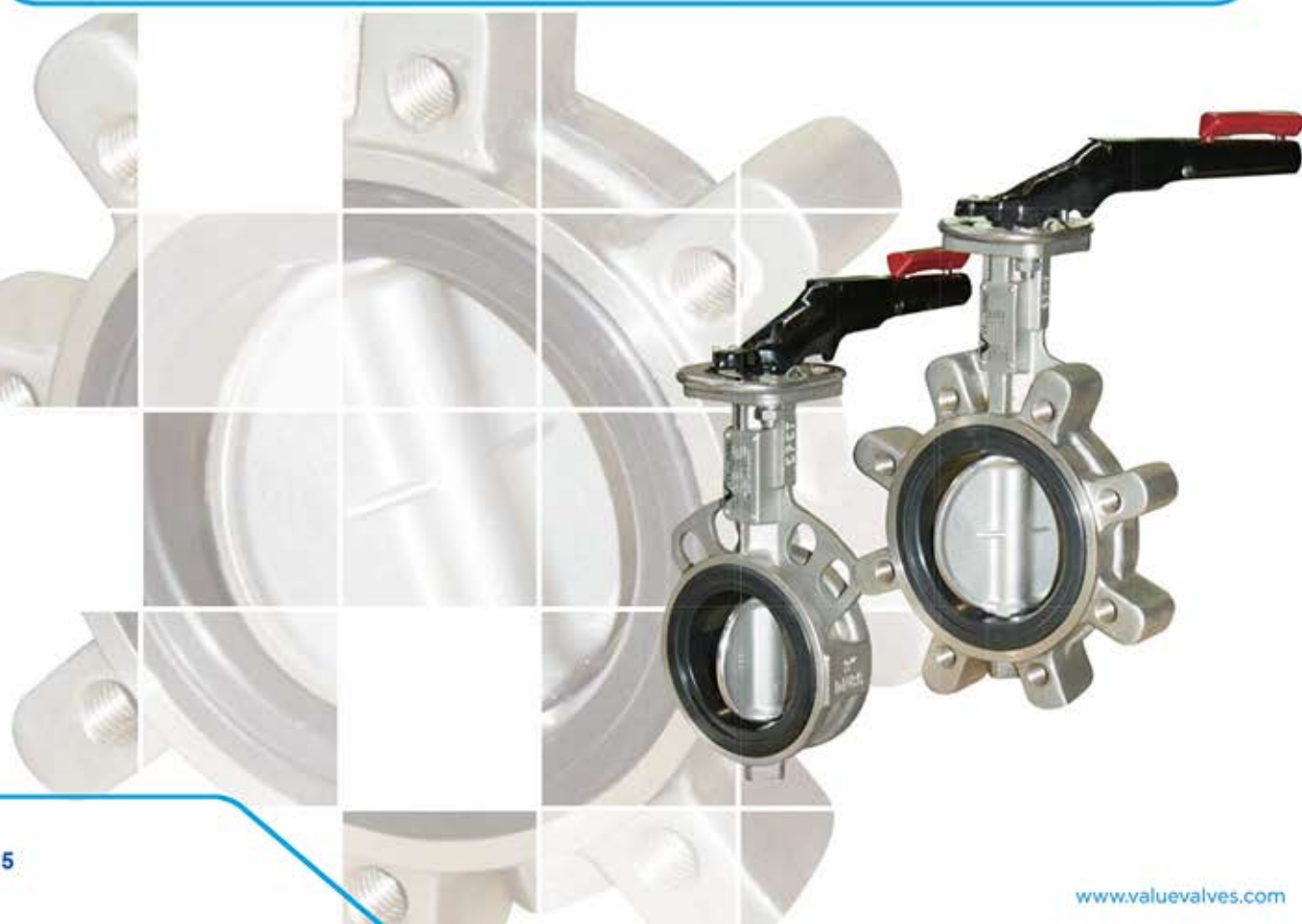
- HVAC
- Ship Building
- Petrochemical
- Fire Control
- Seawater
- Flue Gas
- Desulphurization



CV FLOW COEFFICIENT - VF-730 / VF-733 / VF-737

Size		Disc Angle (Open Degree)								
mm	inch	10°	20°	30°	40°	50°	60°	70°	80°	90°
40	1.5	0.8	2.8	8.1	16.6	25.7	42.1	69.0	94.8	132.2
50	2	1.3	4.4	11.9	25.7	44.5	70.2	117.0	154.4	225.8
65	2.5	2.3	8.8	21.3	41.0	71.4	111.2	218.8	280.8	368.6
80	3	2.9	11.5	30.4	56.2	97.1	147.4	250.4	395.5	497.3
100	4	4.4	17.1	45.6	84.2	139.2	258.6	422.4	709.0	845.9
125	5	7.6	28.1	72.5	138.1	253.9	461.0	700.8	1214.5	1454.3
150	6	11.7	48.0	111.2	204.8	381.4	634.1	1021.4	1474.2	2175.0
200	8	22.2	74.9	193.1	358.0	670.4	1164.2	1833.4	2702.7	3655.1
250	10	32.8	118.2	286.7	527.7	978.1	1710.5	2636.0	3809.5	5565.7
300	12	39.8	150.9	365.0	719.6	1330.3	2486.3	3800.2	5839.5	8257.9
350	14	55.0	190.7	456.3	930.2	1752.7	3010.4	4656.6	6726.3	9733.2
400	16	72.5	270.3	594.4	1260.1	2308.4	3955.8	6300.5	9475.8	13405.9
450	18	87.8	299.5	726.6	1413.4	2708.6	4592.3	7407.3	11084.6	15926.0
500	20	120.5	404.8	1005.0	1979.6	3610.6	6257.2	9960.2	15337.5	21935.2
550	22	146.3	489.1	1215.6	2395.0	4368.8	7571.1	12051.0	18557.4	26541.5
600	24	162.6	578.0	1349.0	2795.1	5225.2	8846.4	13975.7	21163.0	29503.9
650	26	190.7	677.4	1583.0	3280.7	6132.0	10381.4	16401.1	24836.8	34626.2
700	28	223.5	771.0	1958.6	3772.1	7008.3	12471.0	20407.1	29477.0	43080.6
750	30	237.5	819.0	2079.1	4001.4	7434.2	13229.2	21648.5	31270.6	45702.5
800	32	300.7	1138.4	2693.3	5303.6	9635.0	16523.9	26934.6	36987.2	53814.2
900	36	384.9	1466.0	3451.5	6858.5	12647.7	21275.3	34814.5	50184.8	71421.5
950	38	538.2	2024.1	4703.4	8400.6	14238.9	23166.0	38013.3	57704.4	72715.5
1000	40	596.7	2245.2	5213.5	9308.5	15788.0	25668.6	42120.0	63939.3	80582.6
1050	42	657.5	2475.7	5748.2	10262.1	17406.1	28300.0	46437.3	70493.7	88842.8
1100	44	721.9	2716.7	6308.6	11263.6	19103.8	31058.8	50965.2	77366.3	97505.5
1200	48	858.8	3232.7	7507.9	13404.7	22734.3	36962.6	60652.8	92073.2	116039.4

When require Cv = 1.17Kv



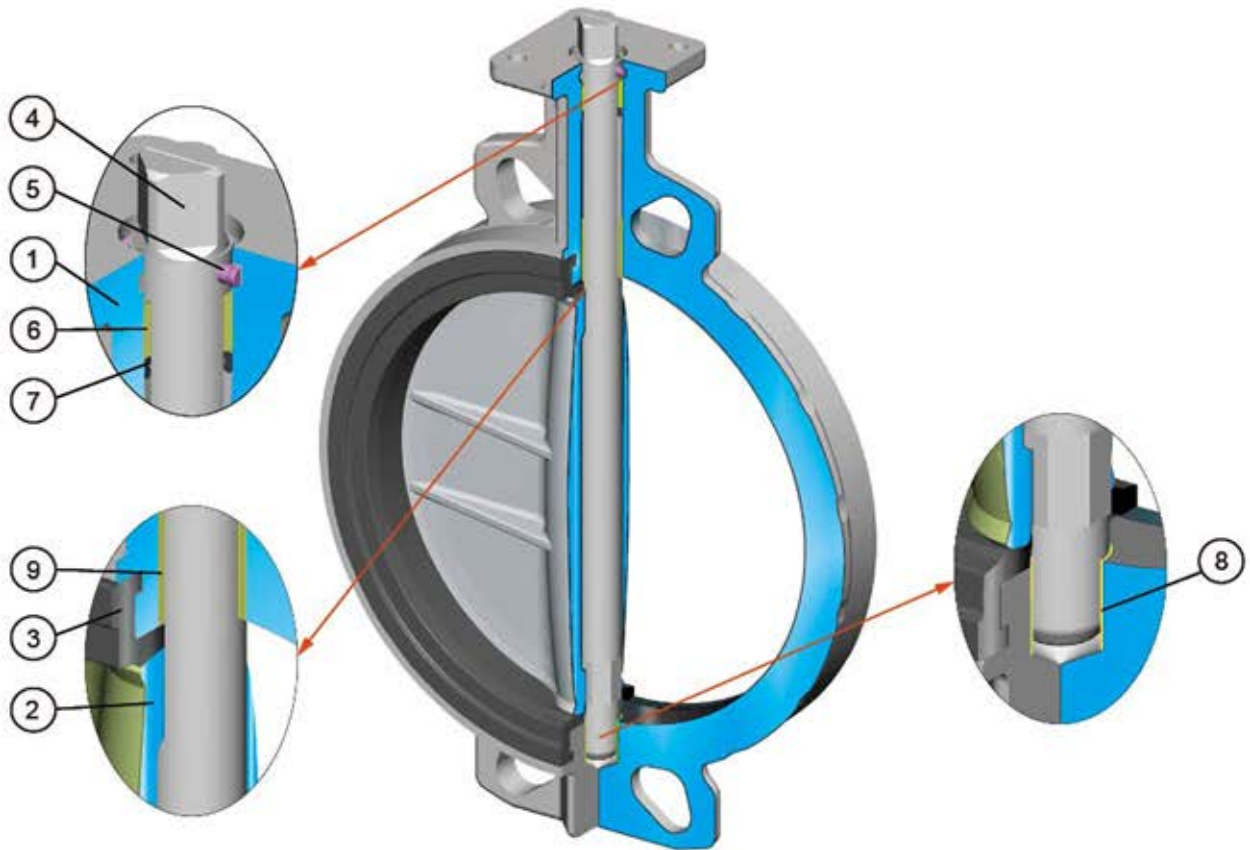


TORQUE CHART (Nm) - including 30% Safety Factor VF-730 / VF-733 / VF-737

Size		Differential pressure (kg/cm ²)								
		Lubricating(Non-corrosive)				Dry(Non-Lubricating)				
mm	inch	3	6	10	16	3	6	10	16	20
40	1.5	15	17	19	23	19	21	23	27	32
50	2	15	17	19	23	19	21	23	27	32
65	2.5	18	20	22	26	22	24	27	32	38
80	3	28	31	34	41	34	38	42	50	58
100	4	37	41	45	54	45	50	56	66	76
125	5	61	68	76	91	76	84	93	108	124
150	6	116	127	140	154	126	138	152	176	200
200	8	171	190	211	253	211	234	260	306	346
250	10	275	306	340	408	340	378	420	492	564
300	12	381	423	470	564	470	522	580	684	788
350	14	545	605	672	804	672	747	830	972	1116
400	16	728	809	899	1076	899	999	1110	1308	1506
450	18	912	1013	1126	1356	1126	1251	1390	1626	1866
500	20	1135	1261	1401	1680	1401	1557	1730	2016	2306
550	22	1373	1525	1695	2016	1695	1884	2093	2424	2776
600	24	1325	1472	1636	1968	1636	1818	2020	2352	2704
650	26	1555	1727	1920	2280	1920	2133	2370	2760	3150
700	28	2339	2599	2888	3456	2888	3209	3566	4176	4784
750	30	2608	2898	3220	3888	3220	3578	3975	4608	5256
800	32	3008	3342	3713	4464	3713	4125	4583	5376	6144
900	36	3828	4253	4726	5664	4726	5251	5834	6864	7872
950	38	4415	4920	6616	7968	5450	6050	7100	8304	9504
1000	40	5090	5680	7620	9168	6280	7010	9410	10944	12584
1050	42	5611	6262	8401	10080	6924	7728	10374	12096	13968
1100	44	6158	6872	9262	11040	7599	8481	11385	13248	15264
1200	48	7328	8178	11022	13248	9043	10093	13548	15744	18144

To use torque chart, note the following:

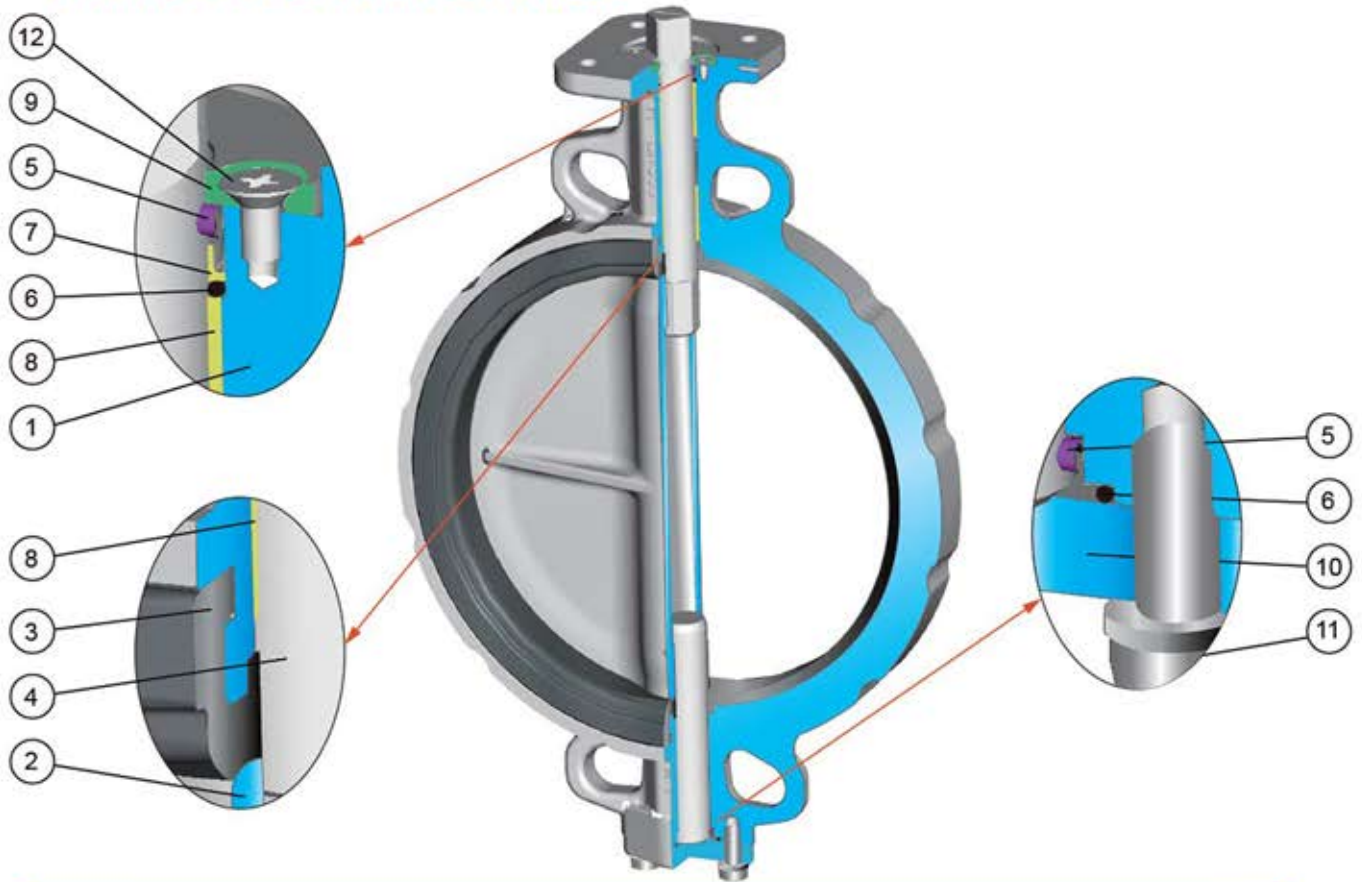
1. Seating / unseating torque valves above included friction bearing torque for stated Δp.
2. Do not apply a safety factor to above torque valves when determining actuator out put torque requirement.



No.	NAME	MATERIAL	SPECIFICATION		REMARK
			JIS	ASTM	
1	BODY	CAST IRON	FC 200	A126 Cl. B	
		DUCTILE IRON	FCD 450	A536-65-45-12	
		STAINLESS STEEL	SCS 13A	A351 Gr.CF8	
2	DISC	DUCTILE IRON	FCD 450	A536-65-45-12	Nylon 11 coated
		STAINLESS STEEL	SCS 13A	A351 Gr. CF8	
		ALU-BRONZE	SCS 14A	A351 Gr. CF8M	
			ALBC 2	B148 C95400	
3	SEAT	NBR (NITRILE)			-10°C ~80°C (14 °F ~176 °F)
		EPDM			-20°C ~120°C (-4 °F ~248 °F)
		EPT			-20°C ~140°C (-4 °F ~284 °F)
		NEOPRENE(CR)			0°C ~80°C (32 °F ~176 °F)
		SILICON			-20°C ~180°C (-4 °F ~356 °F)
		HYPALON(CSM)			-20°C ~135°C (-4 °F ~275 °F)
		VITON			-18°C ~204°C (-0.4 °F ~400 °F)
4	STEM	STAINLESS STEEL	SUS 410	A182 Gr. F8A	
			SUS 304	A182 Gr. F304	
			SUS 316	A182 Gr. F316	
5	PIN	STAINLESS STEEL	SUS 304	A182 Gr. F304	
6	BUSH	DELIN			
7	O-RING	NBR(NITRILE)			
8	BUSH	BRONZE	BC6	B62	For cast iron and ductile iron body
9	BUSH	RPTFE+STAINLESS STEEL	RPTFE+SUS 304	RPTFE+A240 Gr. 304	

*Each materials can provide on different process of customer's requirements.

PARTS AND MATERIALS - VF-730 / 733 / 737 SERIES DN 350~DN 600



No.	NAME	MATERIAL	SPECIFICATION		REMARK
			JIS	ASTM	
1	BODY	CAST IRON	FC 200	A126 Cl. B	
		DUCTILE IRON	FCD 450	A536-65-45-12	
		STAINLESS STEEL	SCS 13A	A351 Gr.CF8	
			SCS 14A	A351 Gr.CF8M	
2	DISC	DUCTILE IRON	FCD 450	A536-65-45-12	Nylon 11 coated
		STAINLESS STEEL	SCS 13A	A351 Gr. CF8	
		ALU-BRONZE	SCS 14A	A351 Gr. CF8M	
			ALBC 2	B148 C95400	
3	SEAT	NBR (NITRILE)			-10°C ~80°C (14 °F ~176 °F)
		EPDM			-20°C ~120°C (-4 °F ~248 °F)
		EPT			-20°C ~140°C (-4 °F ~284 °F)
		NEOPRENE(CR)			0°C ~80°C (32 °F ~176 °F)
		SILICON			-20°C ~180°C (-4 °F ~356 °F)
		HYPALON(CSM)			-20°C ~135°C (-4 °F ~275 °F)
4	STEM	STAINLESS STEEL	SUS 410	A182 Gr. F6A	
			SUS 304	A182 Gr. F304	
5	PIN	STAINLESS STEEL	SUS 316	A182 Gr. F316	
6	O-RING	NBR(NITRILE)	SUS 304	A182 Gr. F304	
7	THRUST RING	STAINLESS STEEL	SUS 304	A240 Gr. 304	
8	BUSH	RPTFE+STAINLESS STEEL	RPTFE+SUS 304	RPTFE+A240 Gr. 304	
9	UPPER COVER	CAST IRON	FC 200	A126 Cl. B	For cast iron and ductile iron body
		STAINLESS STEEL	SUS 304	A240 304	For stainless steel body
10	BOTTOM COVER	CAST IRON	FC 200	A126-B	For cast iron and ductile iron body
		STAINLESS STEEL	SUS 13A	A351 Gr.CF8	For stainless steel body
11	BOLT	STEEL			
12	BOLT	STEEL			

*Each materials can provide on different process of customer's requirements.

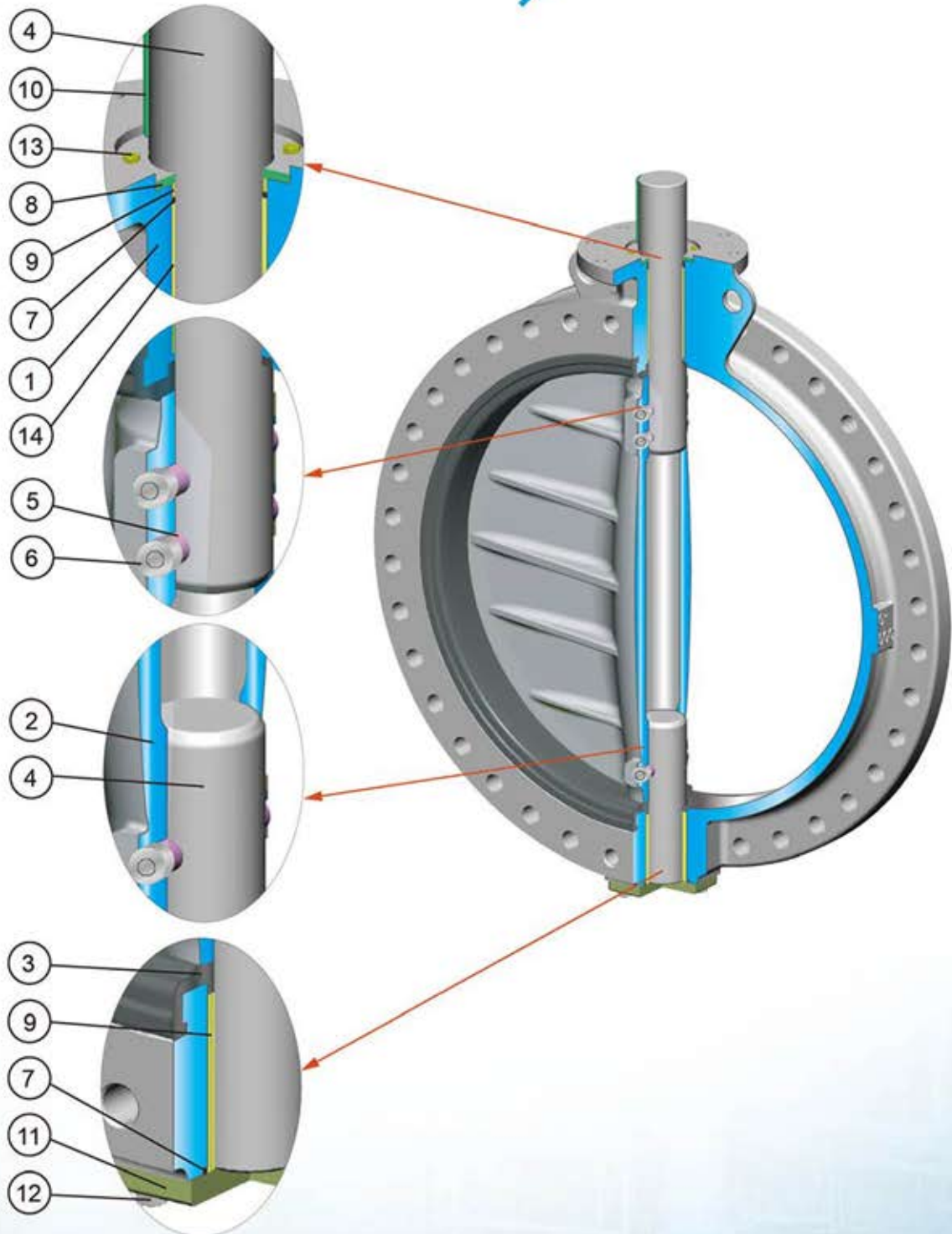
PARTS AND MATERIALS - VF-730 / 737 SERIES DN 650~DN 1200

No.	NAME	MATERIAL	SPECIFICATION		REMARK
			JIS	ASTM	
1	BODY	DUCTILE IRON	FCD450	A536-65-45-12	VF-730(26"~40") VF-737(26"~48")
		STAINLESS STEEL	SCS 13A	A351 Gr.CF8	
2	DISC	DUCTILE IRON	FCD 450	A536-65-45-12	Nylon 11 coated
		STAINLESS STEEL	SCS 13A	A351 Gr. CF8	
		ALU-BRONZE	SCS 14A	A351 Gr. CF8M	
			ALBC 2	B148 C95400	
3	SEAT	NBR (NITRILE)			-10°C ~80°C (14 °F ~176 °F)
		EPDM			-20°C ~120°C (-4 °F ~248 °F)
		EPT			-20°C ~140°C (-4 °F ~284 °F)
		NEOPRENE(CR)			0°C ~80°C (32 °F ~176 °F)
		SILICON			-20°C ~180°C (-4 °F ~356 °F)
		HYPALON(CSM)			-20°C ~135°C (-4 °F ~275 °F)
4	STEM	STAINLESS STEEL	SUS 410	A182 Gr. F6A	
			SUS 304	A182 Gr. F304	
			SUS 316	A182 Gr. F316	
5	PIN	STAINLESS STEEL	SUS 316	A182 Gr. F316	
6	PLUG	STAINLESS STEEL			
7	O-RING	NBR(NITRILE)			
8	UPPER COVER	STEEL	SS 400	A36	For cast iron and ductile iron body
		STAINLESS STEEL	SUS 304	A240 Gr. 304	For stainless steel body
9	BUSH	BRONZE	BC 6	B62	
10	KEY	STEEL			
11	BOTTOM COVER	CAST IRON	FC 200	A126 Cl. B	For cast iron and ductile iron body
		STAINLESS STEEL	SUS 13A	A351 Gr.CF8	For stainless steel body
			SUS 14A	A351 Gr.CF8M	
12	BOLT	STEEL			
13	BOLT	STEEL			
14	BUSH	PTFE+316 SS			

*Each materials can provide on different process of customer's requirements.

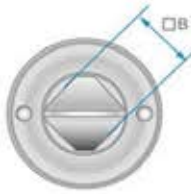


PARTS AND MATERIALS - VF-730 / 737 SERIES DN 650~DN 1200

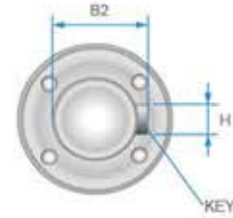


WAFER TYPE DIMENSIONS - VF-730 SERIES DN 40~DN 1000

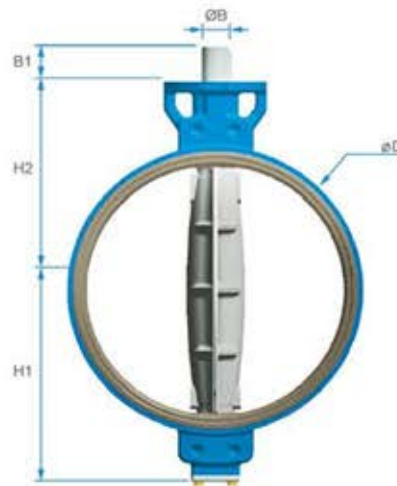
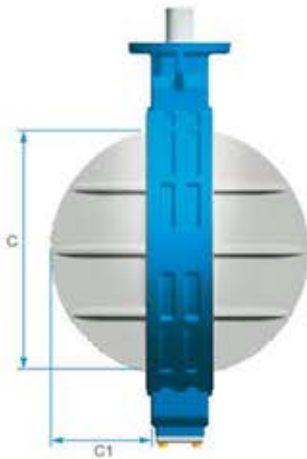
CAST IRON



DN 40~DN 600



DN 650~DN 1000



Unit : mm

Size		Face to Face	Dimensions					Mounting flange (ISO 5211)		Shaft end				Weight	
mm	Inch	L	H1	H2	φD	C	C1	VALVE		φB	B1	B2	Key (H*W)	□B	kg
								Type	PCD						
40	1.5	33	60	120	81	34	7	F07	70	14	19	-	-	11	2
50	2	43	65	143	96	39	8	F07	70	14	19	-	-	11	3
65	2.5	46	71	155	110	55	13	F07	70	14	19	-	-	11	3.8
80	3	46	77	162	124	69	19	F07	70	14	19	-	-	11	4
100	4	52	107	181	148	91	27	F07	70	14	19	-	-	11	5.3
125	5	56	122	197	180	115	36	F07	70	18	19	-	-	14	7.3
150	6	56	150	210	206	140	47	F07	70	18	19	-	-	14	8.2
200	8	60	165	240	259	186	68	F10	102	22	24	-	-	17	13.5
250	10	68	201	286	320	239	90	F10	102	25	24	-	-	19	21.2
300	12	78	234	309	370	288	111	F10	102	28	24	-	-	22	32.5
350	14	78	303	329	412	325	128	F12/*F14	125/140	35	29	-	-	27	48
400	16	102	335	361	475	375	143	F12/*F14	125/140	35	29	-	-	27	60
450	18	114	363	393	530	423	162	F14/*F16	140/165	48	38	-	-	36	80
500	20	127	397	427	585	473	182	F14/*F16	140/165	48	38	-	-	36	125
550	22	154	426	475	635	507	186	F14/*F16	140/165	50	38	-	-	36	130
600	24	154	459	492	687	560	214	F16	165	60	48	-	-	46	200
650	26	165	489	515	718	606	230	F16	165	65	90	69.5	18*12	-	194
700	28	165	511	563	796	655	255	F16	165	75	90	79.2	20*12	-	249
750	30	190	544	585	856	692	264	F25	254	75	110	79.2	20*12	-	316
800	32	190	592	630	870	736	285	F25	254	80	110	87.5	24*16	-	365
900	36	203	632	660	1003	841	331	F25	254	85	110	92.5	24*16	-	424
1000	40	216	698	749	1090	941	373	F30	298	100	155	105.3	28*16	-	648

*Other dimensions please consult with Value Valves.

Pipe limit size > C

CAST IRON

WAFER TYPE DIMENSIONS - VF-730 SERIES DN 40~DN 1000

DN 40~65



DN 80



DN 100~150



DN 200~300



DN 350~600

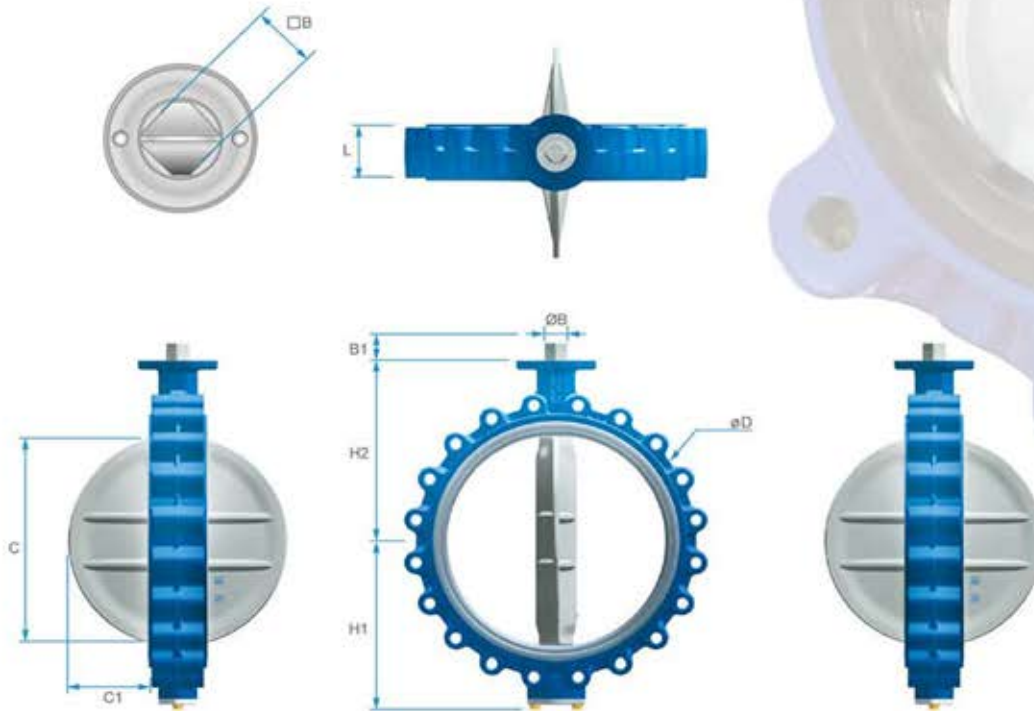


DN 650~1000



LUG TYPE DIMENSIONS - VF-733 SERIES DN 40 ~ DN 600

CAST IRON



Unit : mm

Size		Face to Face	Dimensions					Mounting flange (ISO 5211)		Shaft end			Weight
mm	Inch	L	H1	H2	φD	C	C1	VALVE		φB	B1	□B	kg
								Type	PCD				
40	1.5	33	60	120	81	34	7	F07	70	14	19	11	2.2
50	2	43	65	143	96	39	8	F07	70	14	19	11	3.4
65	2.5	46	71	155	110	55	13	F07	70	14	19	11	4
80	3	46	77	162	124	69	19	F07	70	14	19	11	4.5
100	4	52	89	181	148	91	27	F07	70	14	19	11	7.6
125	5	56	112	197	180	115	36	F07	70	18	19	14	9.5
150	6	56	123	210	206	140	47	F07	70	18	19	14	10.4
200	8	60	150	240	259	186	68	F10	102	22	24	17	17.5
250	10	68	179	286	320	239	90	F10	102	25	24	19	26.5
300	12	78	216	309	370	288	111	F10	102	28	24	22	43.5
350	14	78	303	329	412	325	128	F12/F14	125/*140	35	29	27	58
400	16	102	335	361	475	375	143	F12/F14	125/*140	35	29	27	81
450	18	114	363	393	530	423	162	F14/F16	140/*165	48	38	36	110
500	20	127	397	427	585	473	182	F14/F16	140/*165	48	38	36	155
600	24	154	459	492	687	560	214	F16	165	60	48	46	318

*Other dimensions please consult with Value Valves.

Pipe limit size > C

LUG TYPE DIMENSIONS - VF-733 SERIES DN 40 ~ DN 600

DN 40~65



DN 80



DN 100~150



DN 200~300



DN 350~600

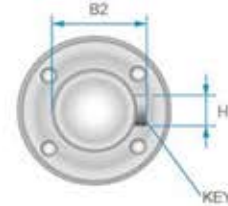


FLANGE TYPE DIMENSIONS – VF-737 SERIES DN 350 ~ DN 1200

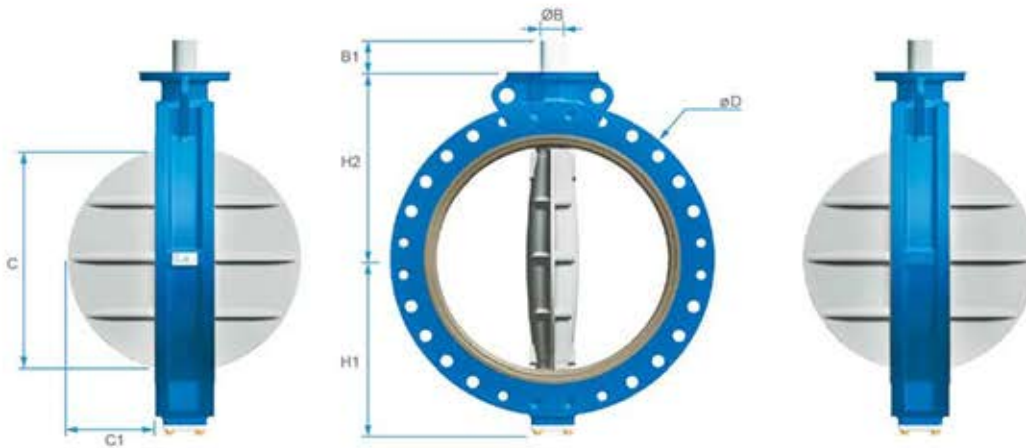
CAST IRON



DN 350~DN 600



DN 650~DN1200



Unit : mm

Size		Face to Face	Dimensions					Mounting flange (ISO 5211)		Shaft end				Thickness of Flange	Weight		
mm	Inch		L	H1	H2	øD	C	C1	VALVE		øB	B1	B2			Key (H*W)	øB
								Type	PCD								
350	14	78	303	329	535	325	128	F12/F14	125*140	35	29	-	-	27	21	69	
400	16	102	335	361	600	375	143	F12/F14	125*140	35	29	-	-	27	22	95	
450	18	114	363	393	648	423	162	F14/F16	140*165	48	38	-	-	36	27	129	
500	20	127	397	427	715	473	182	F14/F16	140*165	50	38	-	-	36	30	161	
550	22	154	426	475	762	506	188	F14/F16	140*165	50	38	-	-	36	31	191	
600	24	154	459	492	840	560	214	F16	165	60	48	-	-	46	36	248	
650	26	165	489	515	870	606	230	F16	165	65	90	69.5	18*12	-	40	294	
700	28	165	511	563	927	655	255	F16	165	75	90	79.2	20*12	-	40	329	
750	30	190	544	585	997	692	264	F25	254	75	110	79.2	20*12	-	40	431	
800	32	190	592	630	1060	736	285	F25	254	80	110	87.5	24*16	-	44	507	
900	36	203	632	660	1170	841	331	F25	254	85	110	92.5	24*16	-	46	621	
950	38	216	682	729	1238	889	350	F25	254	95	110	100.3	28*16	-	50	750	
1000	40	216	698	749	1289	941	373	F30	298	100	155	105.3	28*16	-	50	810	
1050	42	216	761	813	1340	977	391	F30	298	100	155	105.3	28*16	-	50	859	
1100	44	216	768	814	1403	1024	414	F30	298	110	180	116.3	32*18	-	50	931	
1200	48	254	814	870	1511	1131	451	F30	298	110	180	116.3	32*18	-	56	1161	

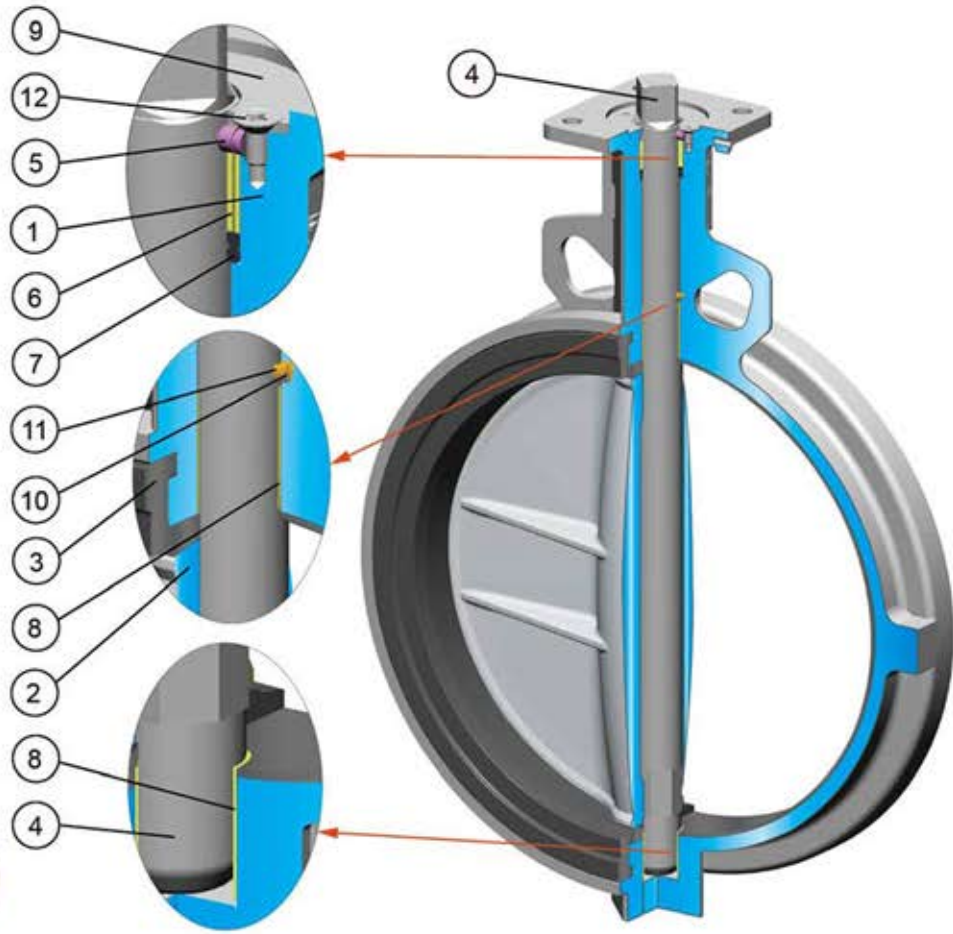
*Other dimensions please consult with Value Valves.

Pipe limit size > C

FLANGE TYPE DIMENSIONS - VF-737 SERIES DN 350 ~ DN 1200**DN 350~600****DN 650~1200**

PARTS AND MATERIALS - VF-730 / VF-733 SERIES DN 40 ~ DN 300

STAINLESS STEEL



PARTS AND MATERIALS - VF-730 / VF-733 SERIES DN 40 ~ DN 300

- VALUE VALVES offer a new line a of butterfly valves with stainless steel investment cast bodies(1) and discs (2) from size DN40 up to DN300(12") IN BOTH WAFER AND LUG STYLES.
- This line of valves has the same design features of VF-730/733 valves, plus the advantage parts like RTFE+SS 316 bushings(8), stem retainer(9), stainless steel lever lever operator set and gear box etc., to reach a high integrity corrosion resistance exterior for use in aggressive environment.
- Anti static device (10.11) has to be equipped with this valve, since the valve disc & stem was isolated by rubber liner and stem bushings. It will collect the static, which resulted by the friction between the fluids and disc. In order to prevent the dangers caused by static, the antistatic device is required.

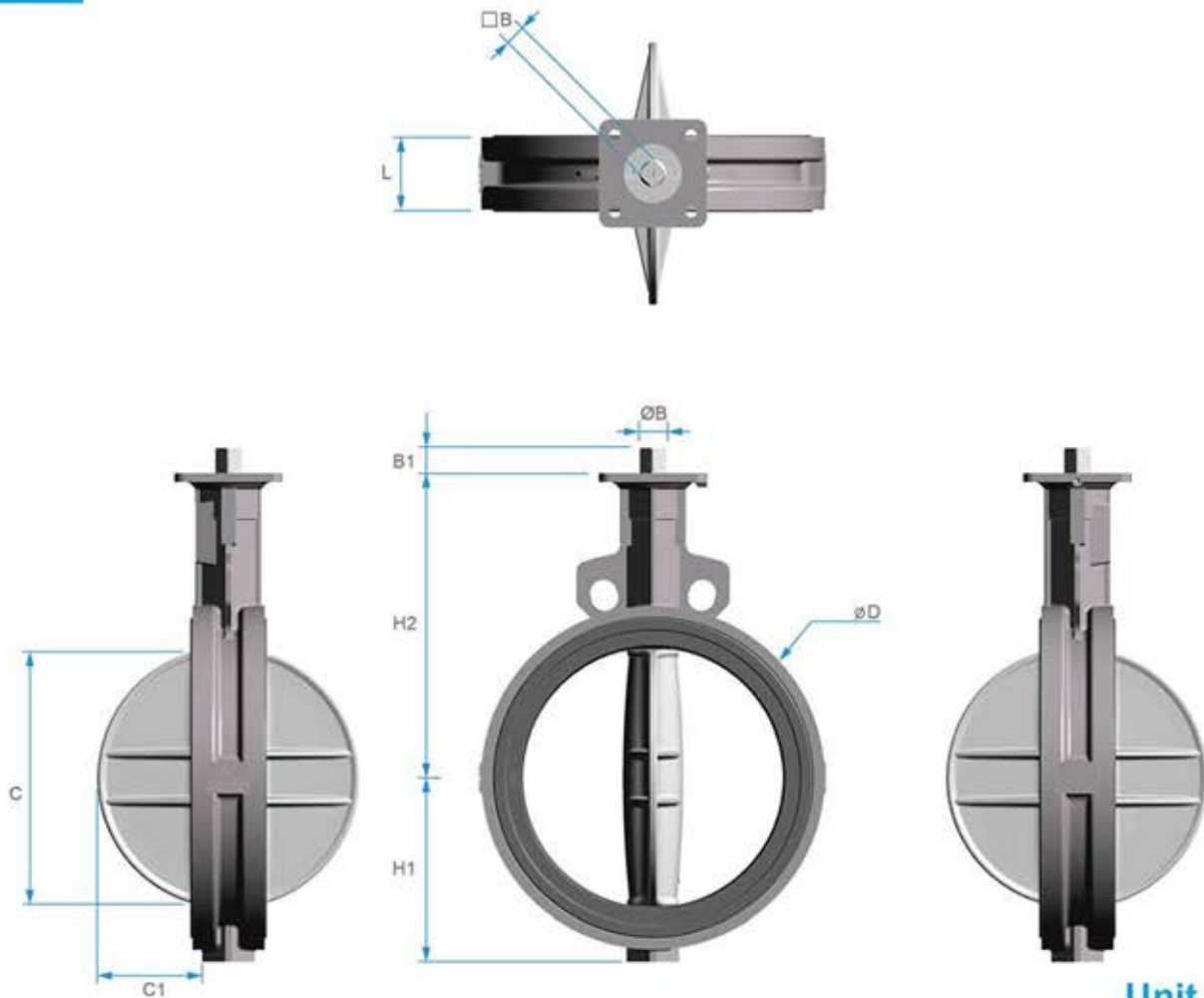


No.	NAME	MATERIAL	SPECIFICATION		REMARK
			JIS	ASTM	
1	BODY	STAINLESS STEEL	SCS 13A	A351 Gr.CF8	
			SCS 14A	A351 Gr.CF8M	
2	DISC	STAINLESS STEEL	SCS 13A	A351 Gr. CF8	
			SCS 14A	A351 Gr. CF8M	
3	SEAT	NBR (NITRILE)			-10°C ~80°C (14 °F ~176 °F)
		EPDM			-20°C ~120°C (-4 °F ~248 °F)
		EPT			-20°C ~140°C (-4 °F ~284 °F)
		NEOPRENE(CR)			0°C ~80°C (32 °F ~176 °F)
		SILICON			-20°C ~180°C (-4 °F ~356 °F)
		HYPALON(CSM)			-20°C ~135°C (-4 °F ~275 °F)
4	STEM	STAINLESS STEEL	SUS 410	A182 Gr. F6A	
			SUS 304	A182 Gr. F304	
5	PIN	STAINLESS STEEL	SUS 316	A182 Gr. F316	
6	BUSH	DELTRIN	SUS 304	A182 Gr. F304	
7	O-RING	NBR(NITRILE)			
8	BUSH	PRTFE+STAINLESS STEEL	RPTFE+SUS 304	RPTFE+A204 Gr. 304	
9	STEM RETAINER	STAINLESS STEEL	SUS 304	A240 Gr. F304	
10	PIN(ANTI-STATIC)	STAINLESS STEEL	SUS 304	A182 Gr. F304	
11	SPRING	STAINLESS STEEL	SUS 304	A182 Gr. F304	
12	SCREW	STAINLESS STEEL	SUS 304	A193 Gr. B8	

*Each materials can provide on different process of customer's requirements.

WAFER TYPE DIMENSIONS – VF-730 SERIES DN 40 ~ DN 300

STAINLESS STEEL

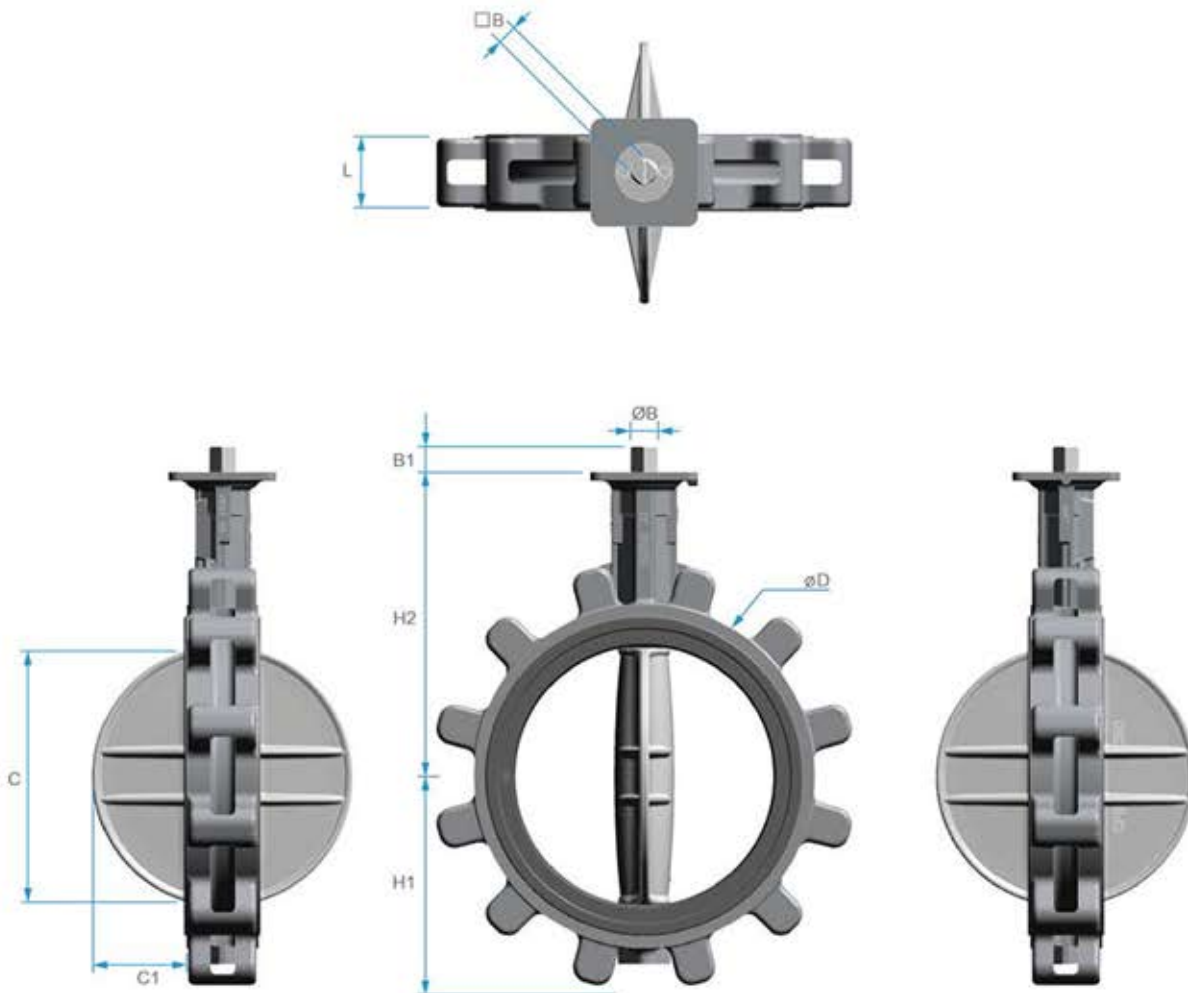


Unit : mm

Size		Face to Face	Dimensions					Mounting flange (ISO 5211)		Flat shaft end			Weight
mm	Inch	L	H1	H2	φD	C	C1	VALVE		φB	B1	□B	VF-730
								Type	PCD				kg
40	1.5	33	60	120	81	34	7	F07	70	14	19	11	2.2
50	2	43	65	143	96	39	8	F07	70	14	19	11	3.3
65	2.5	46	71	155	110	55	13	F07	70	14	19	11	4.1
80	3	46	77	162	126	69	19	F07	70	14	19	11	4.3
100	4	52	91	181	148	91	27	F07	70	14	19	11	5.7
125	5	56	103	197	180	115	36	F07	70	18	19	14	7.9
150	6	56	120	210	206	140	47	F07	70	18	19	14	8.9
200	8	60	144	240	259	186	68	F10	102	22	24	17	14.6
250	10	68	174	288	325	239	90	F10	102	25	24	19	22.8
300	12	78	206	311	373	288	111	F10	102	28	24	22	35.2

*Other dimensions please consult with Value Valves. Pipe limit size > C

LUG TYPE DIMENSIONS - VF-733 SERIES DN 40 ~ DN 300



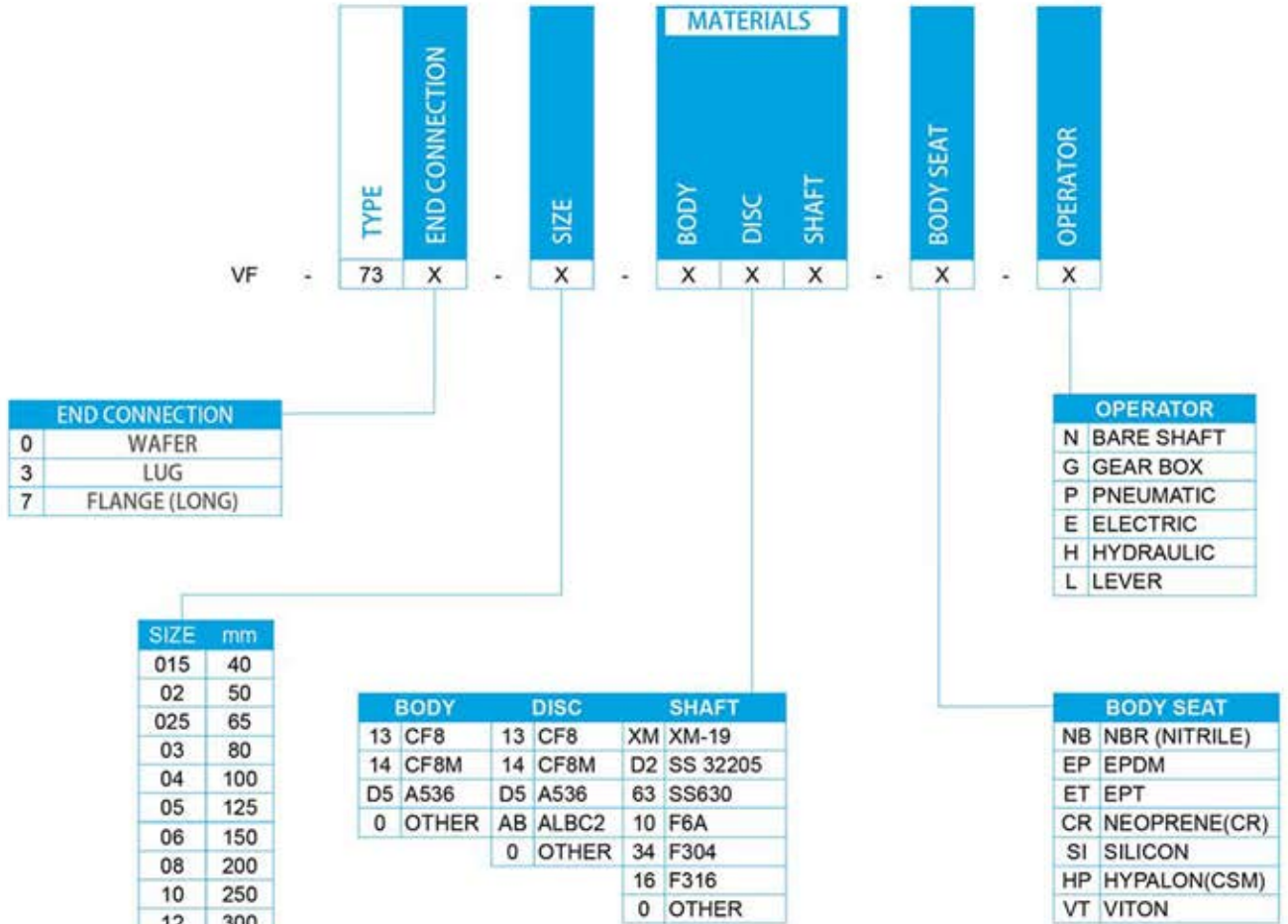
Unit : mm

Size		Face to Face	Dimensions					Mounting flange (ISO 5211) VALVE		Flat shaft end			Weight
mm	Inch	L	H1	H2	φD	C	C1	Type	PCD	φB	B1	□B	VF-733 kg
40	1.5	33	60	120	81	34	7	F07	70	14	19	11	2.4
50	2	43	65	143	96	39	8	F07	70	14	19	11	3.7
65	2.5	46	71	155	110	55	13	F07	70	14	19	11	4.3
80	3	46	77	162	126	69	19	F07	70	14	19	11	4.9
100	4	52	91	181	148	91	27	F07	70	14	19	11	8.2
125	5	56	103	197	180	115	36	F07	70	18	19	14	10.3
150	6	56	120	210	206	140	47	F07	70	18	19	14	11.3
200	8	60	144	240	259	186	68	F10	102	22	24	17	18.9
250	10	68	174	288	325	239	90	F10	102	25	24	19	28.7
300	12	78	206	311	373	288	111	F10	102	28	24	22	47.1

*Other dimensions please consult with Value Valves.

Pipe limit size > C

General Ordering Information



Note: Example VF-730-08-1314XM-ET-N

Shall be a: Centric butterfly valve(73)'Wafer Type(0)'DN200(08)'

CF8 Body(13)'CF8M Disc(14)'SHAFT in XM-19(XM)'

Body seat in EPT(ET)'Bare Shaft(N)

* For any other special offers, please contact Value Valves.



MEMO

A series of horizontal dashed lines for writing, spanning the width of the page.





www.valuevalves.com

VALUE VALVES CO., LTD.

TEL : +886-2-22698000
FAX : +886-2-22686600
E-MAIL : sales@valuevalves.com.tw
ADD : No.9, Chung Shan Rd., Tu-Cheng Industrial District,
New Taipei City, Taiwan 236

VALUE VALVES (SuZhou) LTD.

TEL : +86-512-66558783
FAX : +86-512-66553063
E-MAIL : sales@valuevalves.com.cn
ADD : No.2, WangShan Road, Economic Development Zone,
WangShan, Photoelectricity Industrial Park, Suzhou,
Jiang Su, China 215104

